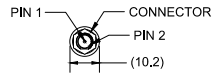


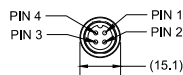
VIEW A



2-PIN FEMALE MATING FACE

PIN #	DESCRIPTION
1	DATA AND 3V-5V
2	GND

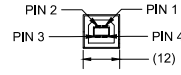
VIEW B



4-PIN MALE MATING FACE

PIN #	DESCRIPTION
1	12V
2	GND
3	AUDIO
4	VIDEO

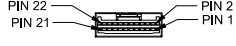
VIEW C



4-PIN FEMALE MATING FACE

PIN #	DESCRIPTION
1	+5V
2	USB DATA -
3	USB DATA +
4	GND

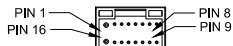
VIEW D



22-PIN MALE MATING FACE

PIN#	DESCRIPTION
1	INPUT - 1
2	+5V
3	INPUT - 2
4	GND
5	INPUT - 3
6	485A-1
7	INPUT - 4
8	485B-1
9	INPUT - 5
10	GND
11	INPUT - 6
12	485A-2
13	INPUT - 7
14	485B-2
15	INPUT - 8
16	OUTPUT - 1
17	SPEED SIGNAL
18	OUTPUT - 2
19	SPEED GND
20	GND
21	GND
22	12V OUT

VIEW E



16-PIN MALE MATING FACE

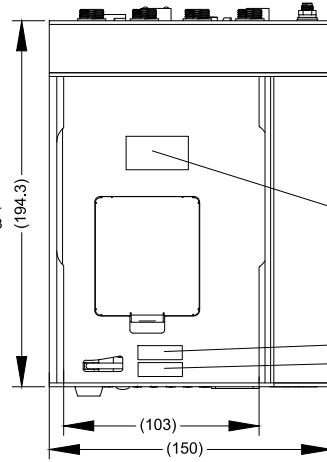
PIN#	DESCRIPTION
1	12V / 24V
2	12V / 24V
3	IGNITION
4	N.C
5	GND
6	VIDEO
7	AUDIO
8	N.C
9	N.C
10	N.C
11	N.C
12	N.C
13	N.C
14	N.C
15	GND
16	GND

VIEW F



4-PIN FEMALE MATING FACE

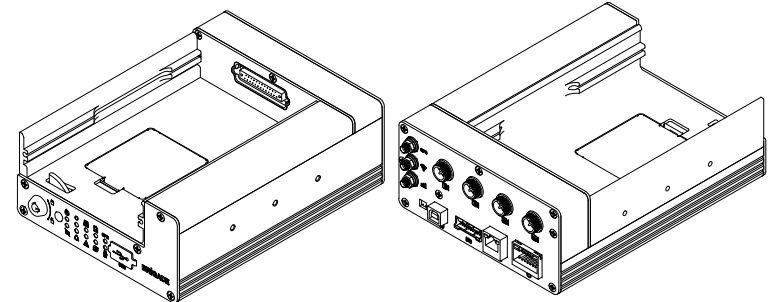
PIN #	DESCRIPTION
1	+5V
2	USB DATA -
3	USB DATA +
4	GND



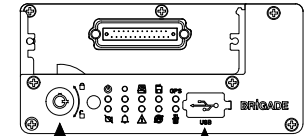
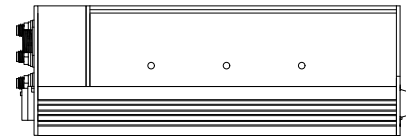
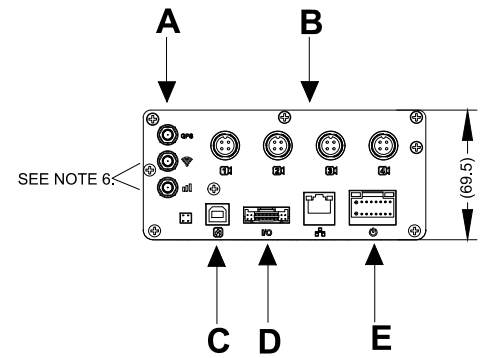
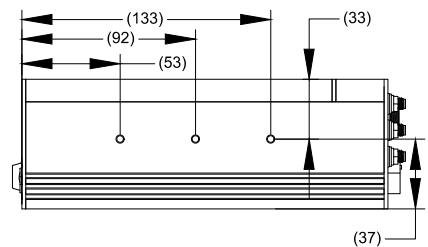
PRODUCT LABEL LOCATION

SERIAL NUMBER LABEL LOCATION
IMEI NUMBER LABEL LOCATION
(APPLICABLE FOR MDR MODELS THAT CONTAIN 3G/4G MODULES)

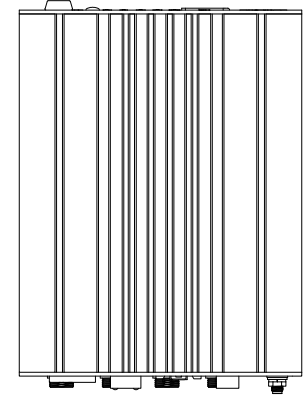
Revision Notes.				
R1 - ADDING BRACKET LOCATION, RELEASE VIA P1012.				
APA: SOFIA ZHANG	Drawn:L. PILLAY	Checked:M. BUTLER	Approved:B. JOHN	Date: 07/09/2017
R2 - ADDING IMEI LABEL AS PER P1012 4G Wi-Fi RELEASE.				
APA: SOFIA ZHANG	Drawn:L. PILLAY	Checked:R.BATES	Approved:B. CHILDS	Date: 17/11/2017
R3 - ADDING DOCKING STATIONS WITH NORTH AMERICAN 4G MODULE INSIDE, AS PER P1129 RELEASE				
APA: CAROL LI	Drawn:S.ZHANG	Checked:R. BATES	Approved:B. CHILDS	Date: 05/10/18



R2



SECURITY LOCK



ITEM	PART NUMBER	QTY	MODEL NUMBER	DESCRIPTION
(A)	5131	1	MDR-504-DS	4CH DOCKING STATION WITH GPS, G-SENSOR AND 32GB SD CARD
(B)	5135	1	MDR-504GW-DS	4CH DOCKING STATION WITH GPS, G-SENSOR, 4G, Wi-Fi AND 32GB SD CARD
(C)	5137	1	MDR-504G-DS	4CH DOCKING STATION WITH GPS, G-SENSOR, 4G AND 32GB SD CARD
(D)	5140	1	MDR-504W-DS	4CH DOCKING STATION WITH GPS, G-SENSOR, Wi-Fi AND 32GB SD CARD
(E)	5508	1	MDR-504GW-DS(NA)	4CH DOCKING STATION WITH GPS, G-SENSOR, 4G, Wi-Fi AND 32GB SD CARD, NORTH AMERICAN VARIANT
(F)	5538	1	MDR-504G-DS(NA)	4CH DOCKING STATION WITH GPS, G-SENSOR, 4G AND 32GB SD CARD, NORTH AMERICAN VARIANT

R3

- NOTES:
1. REFERENCE INSTRUCTION MANUAL FOR FUNCTIONALITY.
 2. NOT BACKWARDS COMPATIBLE WITH MDR-404XX-XXX.
 3. FOR ALL LABELS AND PACKAGING REFER TO MASTER BOM.
 4. VARIOUS SYSTEM OPTIONS A, B, C OR D CONTAIN RELEVANT COMPONENTS.
 5. FINISH: GUNMETAL GREY.
 6. MOBILE NETWORK AND Wi-Fi CAPABILITIES DEPEND ON MODEL AND AVAILABILITY.
 7. ANY CUSTOMER MODIFICATION OF THIS PRODUCT CAUSING SUBSEQUENT FAILURE IS NOT A LIABILITY OF BRIGADE ELECTRONICS GROUP PLC.

PROPRIETARY NOTICE
THIS DESIGN AND TECHNICAL INFORMATION APPEARING ON THIS DRAWING IS THE PROPERTY OF BRIGADE ELECTRONICS, AND IS DISCLOSED IN CONFIDENCE. IT IS NOT TO BE COPIED, REPRODUCED, REVEALED TO OR EXPROPRIATED BY OTHERS, EITHER IN WHOLE OR IN PART WITHOUT THE EXPRESS WRITTEN CONSENT OF BRIGADE ELECTRONICS.



Assembly Pl Approval SOFIA ZHANG		Approved by B. JOHN		Checked by D. RICHARDSON		Drawn by L.PILLAY	
Angle of Projection Third Angle		Units mm	Scale N/A	Released 03/05/17	Assembly Ref N/A		
Status RELEASED		MDR-504XX-DS					
Part No VARIOUS		BE-003410-03-16					